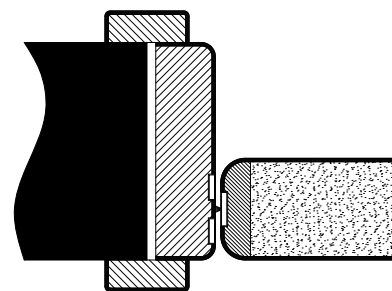


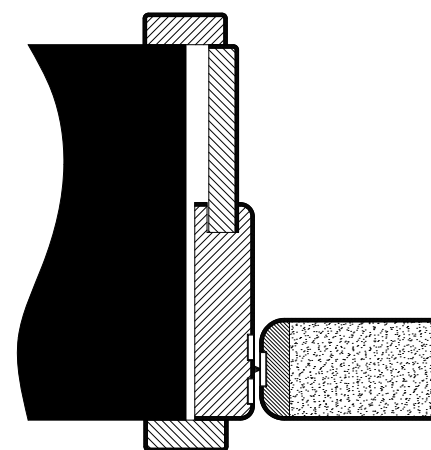
# Double Swing (Offset) Frame with loose stops & architraves

(Note; All Double Swing doors use a 54mm door core for strength purposes, and all frames contain intumescent grooves to allow concealed fixing points.)

NFR / FD30 / FD60



NFR / FD30 / FD60  
with extension lining



Specialist Door Solutions Ltd  
Unit 4  
Guildford Road Trading Estate  
FARHAM  
SURREY  
GU9 9PZ  
tel: 01420 543222  
email: sales@specialistdoorsolutions.com  
web: www.specialistdoorsolutions.com

title DS (Offset) Frame with  
loose stops & architraves

date drawn  
**26/05/2020 LW**

drawing no. revision